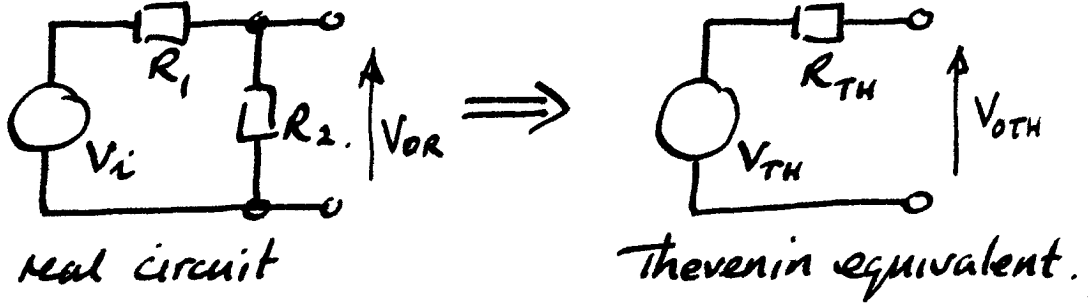


# EEE103 / EEE121 / EEE141 Problem Sheet Solutions

## Background Knowledge

Q1



Need to find the  $R_{TH} + V_{TH}$  that will make the Thevenin equivalent indistinguishable from the real cct.... ie

output voltage of real = output voltage thevenin  
 short circuit output current of real = short circuit output current of thevenin

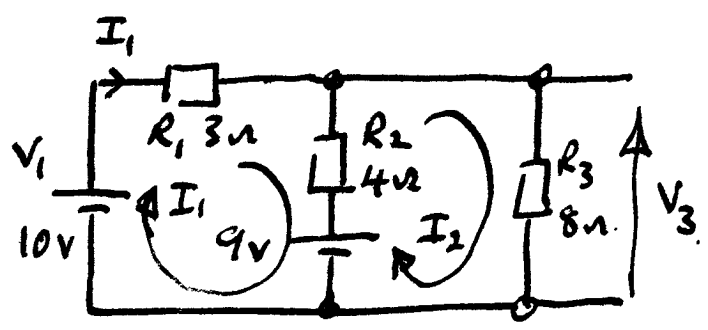
$$V_{OR} = V_i \frac{R_2}{R_1 + R_2} = V_{OTH} \text{ for equivalence} = V_{TH}$$

$$I_{SCR} = V_i / R_1 = V_{TH} / R_{TH} \text{ for equivalence}$$

$$\text{so } R_{TH} = \frac{V_{TH} R_1}{V_i} = \frac{R_1}{V_i} \cdot V_i \frac{R_2}{R_1 + R_2} = \underline{R_1 \parallel R_2}$$

$$\text{ie } V_{TH} = V_i \frac{R_2}{R_1 + R_2} \text{ and } R_{TH} = \frac{R_1 R_2}{R_1 + R_2}$$

Q2. Firstly using loops:



$$10 = I_1 R_1 + (I_1 - I_2) R_2 + 9 \quad \text{--- ①}$$

$$9 = R_2(I_2 - I_1) + R_3 I_2 \quad \text{--- (2)}$$

$$V_3 = R_3 I_2 \quad \text{--- (3)}$$

expanding (1)

$$10 = 3I_1 + 4I_1 - 4I_2 + 9$$

$$\text{or } 1 = 7I_1 - 4I_2 \quad \text{--- (4)}$$

expanding (2)

$$9 = 4I_2 - 4I_1 + 8I_2$$

$$\text{or } 9 = 12I_2 - 4I_1 \quad \text{--- (5)}$$

eliminating  $I_2$  from (4) + (5) gives.

$$9 = 12 \left[ \frac{7I_1 - 1}{4} \right] - 4I_1 = 21I_1 - 3 - 4I_1$$

$$\text{or } I_1 = 12/17 = \underline{\underline{0.706 \text{ A}}}$$

$$\text{using (4), } 1 = 7 \times \frac{12}{17} - 4I_2 \text{ or } I_2 = 0.985 \text{ A.}$$

$$\text{and using (3), } V_3 = 8I_2 = \underline{\underline{7.88 \text{ V}}}$$

Using superposition to find  $V_3$  .....

$$\begin{aligned} V_{3(10V)} &= V_1 \cdot \frac{R_2 \parallel R_3}{R_1 + R_2 \parallel R_3} = 10 \cdot \frac{32/12}{3 + 32/12} = \frac{10 \cdot 8/3}{17/3} \\ &= 80/17 \text{ V.} \end{aligned}$$

$$\begin{aligned} V_{3(9V)} &= V_2 \frac{R_1 \parallel R_3}{R_2 + R_1 \parallel R_3} = 9 \cdot \frac{24/11}{4 + 24/11} = 9 \cdot \frac{24/11}{68/11} \\ &= 54/17 \text{ V} \end{aligned}$$

$$V_{3 \text{ TOT}} = V_{3(10)} + V_{3(9)} = \frac{134}{17} \text{ V} = \underline{\underline{7.88 \text{ V}}}$$

using superposition to find  $I_1, \dots$

$$I_{1(10)} = V_1 / (R_1 + R_2 || R_3) = \frac{10}{3 + 8/3} = \frac{30}{17} \text{ A}$$

$$I_{1(9)} = -V_3 / R_1 = -\frac{1}{R_1} \cdot \frac{9 \cdot 24/11}{4 + 24/11} = -\frac{1}{3} \cdot 9 \cdot \frac{6}{17} = -18/17$$

$$\therefore I_{1 \text{ TOT}} = I_{1(10)} + I_{1(9)} = \frac{30}{17} - \frac{18}{17} = \underline{\underline{0.706 \text{ A}}}$$

To find Norton equivalent....

(i) put short cct across output terminals and calculate current through it .....

$$I_{SC(10V)} = \frac{10}{3} = 3.33 \text{ A}$$

$$I_{SC(9V)} = \frac{9}{4} = 2.25 \text{ A}$$

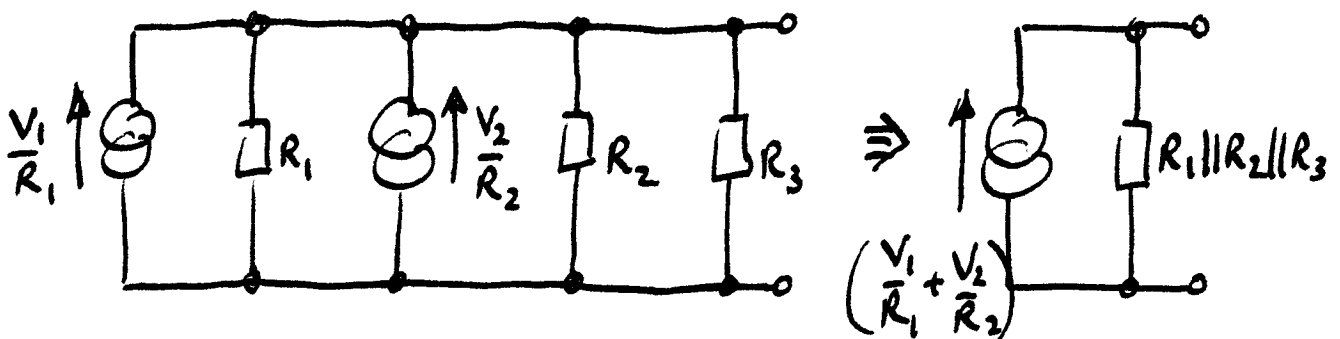
$$\therefore I_{SC \text{ TOT}} = \frac{10}{3} + \frac{9}{4} = \frac{67}{12} = \underline{\underline{5.58 \text{ A}}}$$

$\therefore$  The Norton current source is 5.58 A.

(ii) The Norton parallel resistance is  $V_3 / I_N$ .

$$= \frac{134/17}{67/12} = \frac{12 \times 134}{67 \times 17} = \frac{24}{17} = \underline{\underline{1.41 \Omega}}$$

One could also have transformed the limbs of the original circuit... and then summed ....



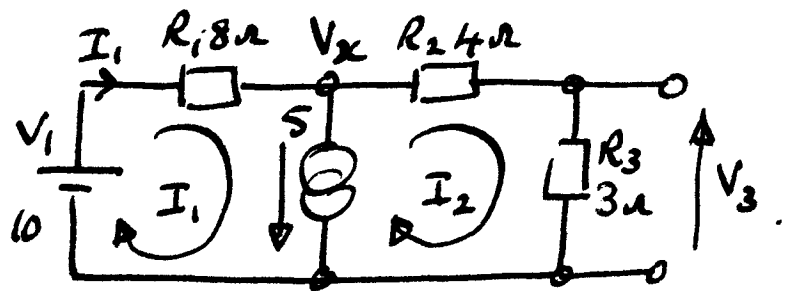
to find the value of  $V_2$  that would make  $I_1 = 0$ , one can make use of the superposition process at the top of page 3 with 9V replaced by  $V_2$  ....

$$I_{1(TOT)} = I_{1(10)} + I_{1(V_2)} = \frac{30}{17} - V_2 \cdot \frac{2}{17}$$

and  $I_{1(TOT)} = 0$  is required .... so

$$\frac{30}{17} - \frac{V_2 \cdot 2}{17} = 0 \quad \text{or} \quad V_2 = \frac{30}{2} = \underline{\underline{15V}}$$

Q3 Using loops...  
it is necessary to define a variable  $V_x$  for the unknown node voltage ...



$$10 = I_1 R_1 + V_x \quad \text{--- (1)}$$

$$V_x = I_2 R_2 + I_2 R_3 \quad \text{--- (2)}$$

$$I_1 - I_2 = 5 \quad \text{--- (3)}$$

eliminating  $V_x$  from (1) and (2) ...

$$10 = I_1 R_1 + I_2 R_2 + I_2 R_3 \\ = 8I_1 + 7I_2$$

and using (3) to eliminate  $I_2$  ...

$$= 8I_1 + 7(I_1 - 5) = 15I_1 - 35$$

$$\text{or } I_1 = \frac{35 + 10}{15} = \frac{45}{15} = \underline{\underline{3A}}$$

$$\text{using (3), } I_2 = -5 + I_1 = -2A$$

$$\therefore V_3 = I_2 R_3 = \underline{\underline{-6V}}$$

(5)

Using superposition to find  $I_1 \dots$

$$I_{1(10)} = 10 / (8+4+3) = 2/3 \text{ A.}$$

$$\begin{aligned} I_{1(5A)} &= -\frac{V_x}{R_1} = -\frac{(-5(R_2+R_3) \parallel R_1)}{R_1} \\ &= \frac{5(R_2+R_3)}{R_1+R_2+R_3} = \frac{5 \times 7}{15} = \frac{7}{3}. \end{aligned}$$

$$\therefore I_{1\text{TOT}} = I_{1(10)} + I_{1(5A)} = \frac{2}{3} + \frac{7}{3} = \underline{\underline{3A}}.$$

to find  $V_3 \dots$

$$V_{3(10)} = 10 \cdot \frac{R_3}{R_1+R_2+R_3} = 10 \cdot \frac{3}{15} = 2 \text{ V.}$$

$$\begin{aligned} V_{3(5)} &= V_x \cdot \frac{R_3}{R_2+R_3} = -5(R_2+R_3) \parallel R_1 \cdot \frac{R_3}{R_2+R_3} \\ &= -5 \cdot \frac{56}{15} \cdot \frac{3}{7} = -8 \text{ V.} \end{aligned}$$

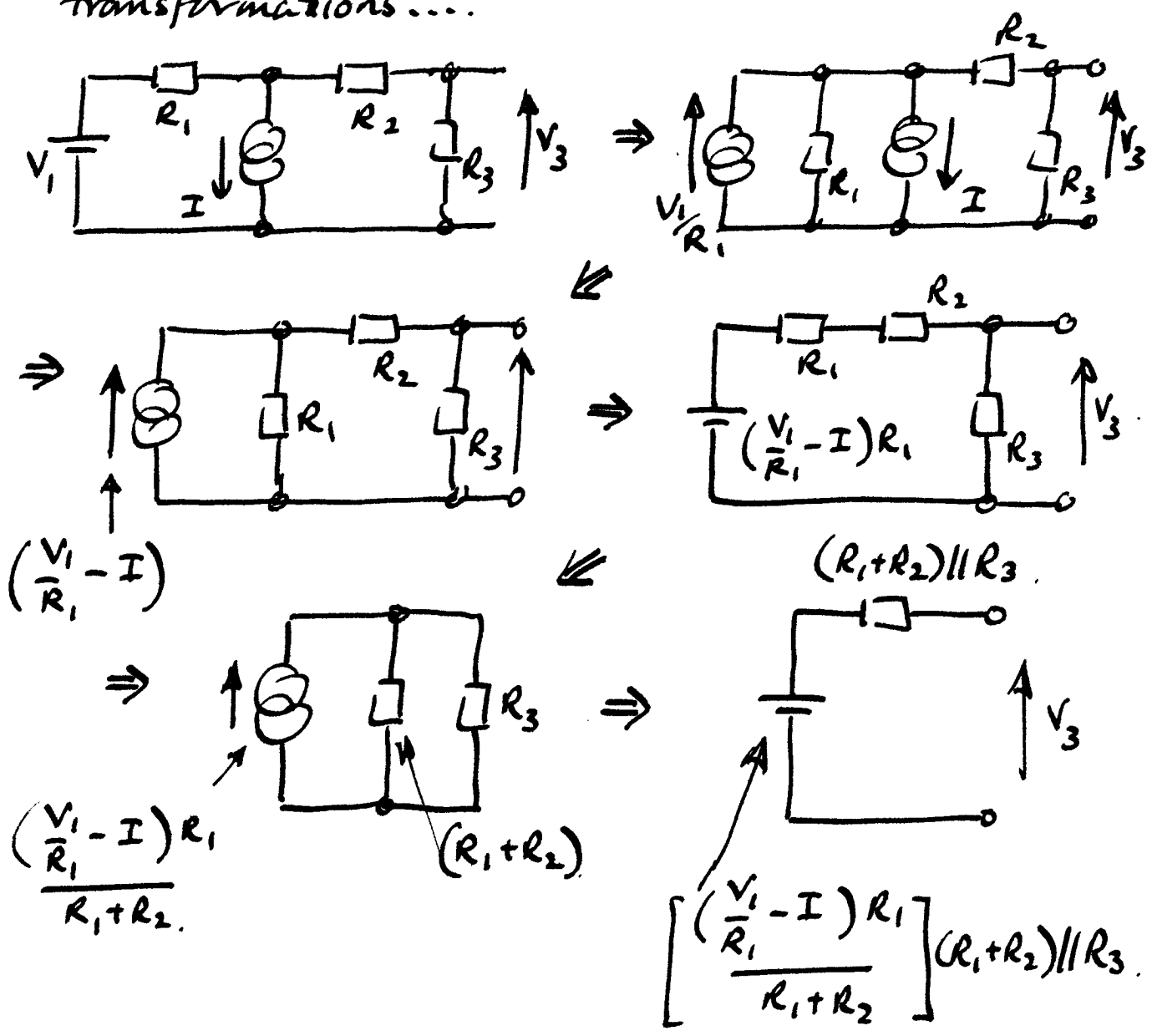
$$V_{3\text{TOT}} = V_{3(10)} + V_{3(5A)} = 2 - 8 = \underline{\underline{-6V}}.$$

For the Thevenin equivalent circuit,  $V_{TH}$  is  $V_3$  (by definition) and to find  $R_{TH}$ , either look into  $V_3$  terminals with  $V_1$  replaced by  $0 \Omega$  and  $I$  by  $\infty \Omega$  and work out resistance or work out the current that would flow through a short circuit placed across the  $V_3$  terminals and use  $R_{TH} = V_3 / I_{sc}$ .

$$V_{TH} = \underline{\underline{-6V}}.$$

$$R_{TH} = R_3 \parallel (R_1+R_2) = \frac{36}{15} = \underline{\underline{2.4 \Omega}}.$$

or yet another possibility is to do successive transformations....



This method is a bit laborious but gives excellent transformation practice.

To find  $I$  that will make  $V_3 = 0$ , use superposition  $V_3$  approach on page 5 and replace 5 by  $I$ ...

$$V_{3(0)} + V_{3(I)} = 0 = 2V + \frac{(-I(R_2 + R_3) \parallel R_1) R_3}{R_2 + R_3}$$

$$\text{or } 2 = \frac{I R_1 R_3}{R_1 + R_2 + R_3} = I \cdot \frac{24}{15} \quad \therefore \underline{\underline{I = 1.25A}}$$

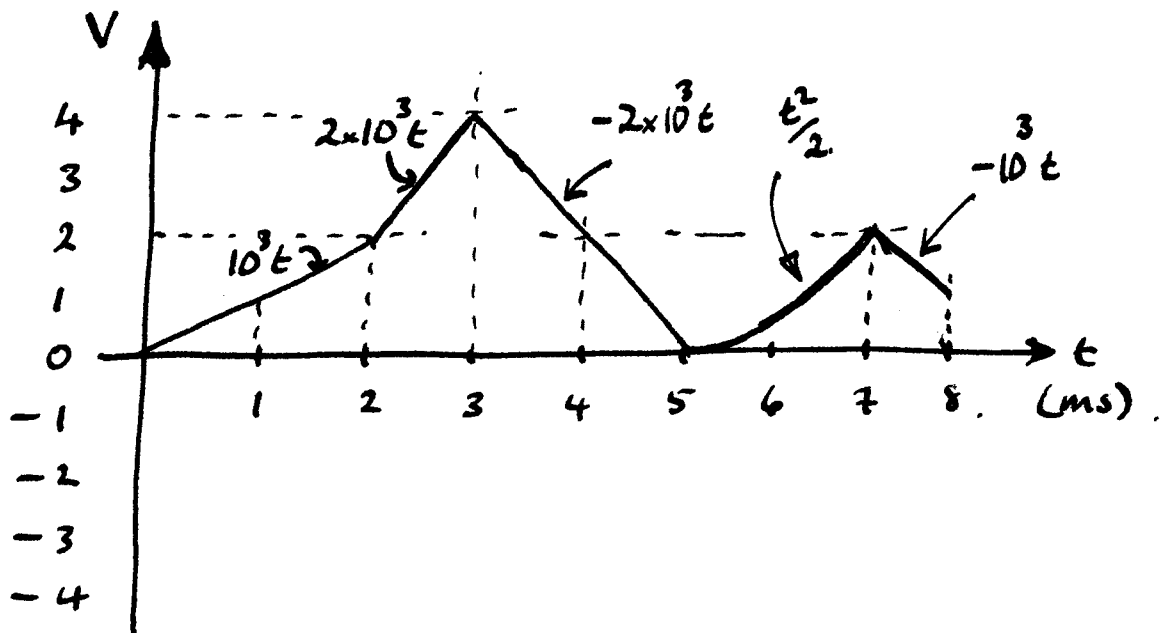
- Q4 (i) everything has units of current except for the  $I_5/R_6$  term
- (ii) The common unit is volts. The  $I_4(R_3+1)$  and the  $R_3$  terms are wrong.
- (iii) is correct; both sides have units of  $R$ .
- (iv) The unit on both sides is  $V$ . All the  $j\omega$  terms are dimensionless (and hence correct) except for the last one,  $j\omega C_2 R_1 R_2$ , that has units of  $R$  and is incorrect. [remember  $\omega$  has units of  $1/\text{time}$ ,  $CR$  has units of time,  $j$  is dimensionless.]
- (v) The  $j\omega(C_1+C_2)R^2$  term has units of  $R$  and should be dimensionless.
- (vi) The  $j\omega L$  term has units of  $R$  and should be dimensionless.
- (vii) is correct;  $Z$  is impedance with units of  $R$ , each term in numerator of right hand side has units of  $R$ , each term in r.h.s. denominator is dimensionless.

Q5 The key relationship here is

$$V_c = \frac{1}{C} \int I dt.$$

and it is quite helpful to remember that  $\int I dt = \text{charge}$ . In the absence of impulsive currents, there are no instantaneous changes in charge and hence no sudden jumps in voltage

it is often easier in this type of problem to move the time origin to a convenient location for each piecewise linear section.



between 1 + 2ms,  $V = \frac{1}{C} \int 1mA dt = 10^3 t$

.. 2 + 3ms,  $V = \frac{1}{C} \int 2mA dt = 2 \times 10^3 t$

.. 3 + 5ms,  $V = \frac{1}{C} \int -2mA dt = -2 \times 10^3 t$

.. 5 + 7ms,  $V = \frac{1}{C} \int t dt = \frac{t^2}{2}$

.. 7 + 8ms,  $V = \frac{1}{C} \int -1mA dt = -10^3 t$

charge at end can be worked out either by adding up the total area under the I-t graph given (which is essentially what the integrating process does) or by working out the charge necessary to support the LV final voltage

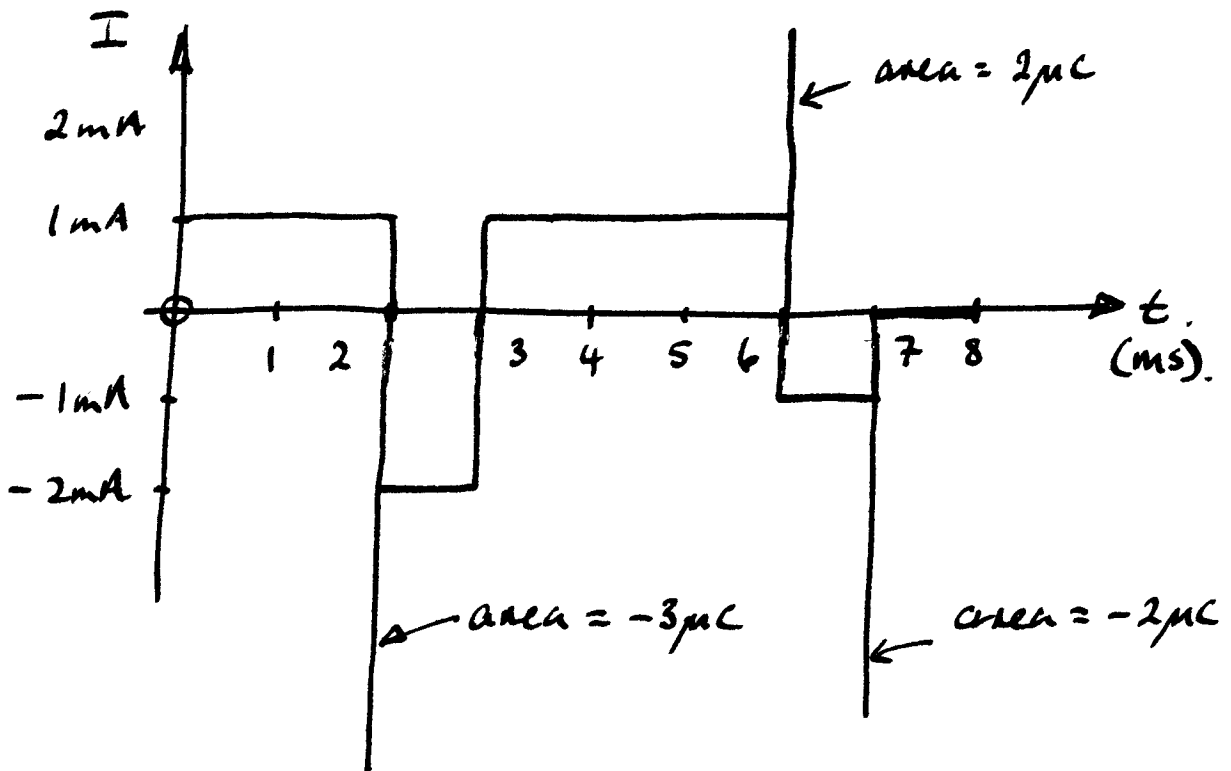
$ms = \underline{\underline{1\mu C}}$



Q6. The key relationship here is

$$I = C \frac{dV}{dt}$$

and the only difficulties lie in the places where  $|\frac{dV}{dt}| = \infty$ . When this happens, a charge appropriate for the  $\Delta V$  must enter  $C$  in zero time leading to a current pulse that is infinitely high and infinitely thin. The only thing that is defined about the pulse is its area ... which, of course, is equal to the charge change caused by the voltage change.



0ms → 2ms,	$\frac{dV}{dt} = 10^3$ ,	$I = 1mA$ .
2ms → 3ms,	$\dots = -2 \times 10^3$ ,	$I = -2mA$
3ms → 6ms,	$\dots = 10^3$ ,	$I = 1mA$
6ms → 7ms,	$\dots = -10^3$ ,	$I = -1mA$ .
7ms →	$\dots = 0$	$I = 0$ .